

MAGDRIVE NEMP200/12



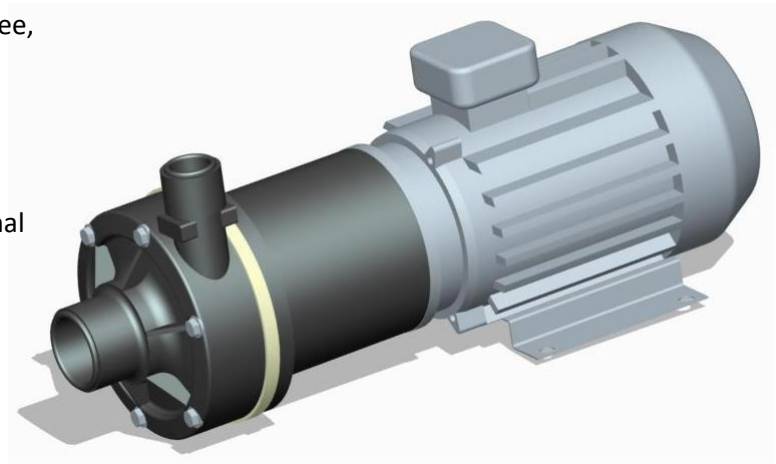
ROTALUTION

Principal Applications

For heavy duty applications requiring safe, leak-free, continuous flow of aggressive chemicals, acids, solvents, alkalis, sterile and chilled fluids.

Wetted Materials

- Standard EPDM O Ring, Nitrile or Viton optional
- PP encapsulated magnet, PVDF optional
- PP pump housing, PVDF optional
- PPS spindle housing, PVDF and PP optional
- Alumina ceramic spindle & thrust washers
- Graflon bushes, Rulon optional



Features

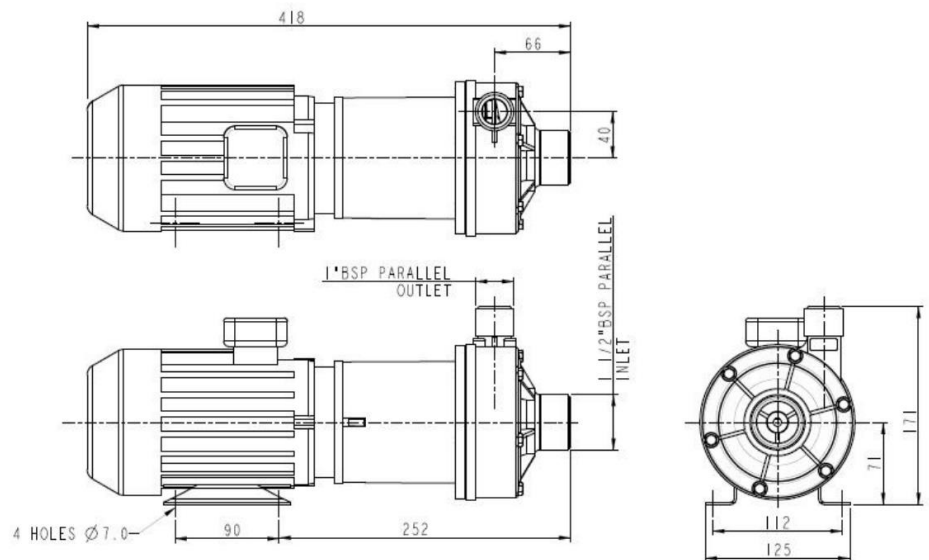
- Manufactured in chemical resistant thermo-plastics – entirely non-metallic
- Magnetic couplings provide an energy efficient thermal shield, minimising heat transfer to the pumped fluid
- IP55 standard motor housing
- High SG version available
- 1 ½" BSP M inlet 1" BSP M outlet

Motor

3 phase IEC motor 550 W
B14 Foot & Face

Dimensions

Drawings not to scale
Dimensions in millimetres



Specifications

Model	Overall Height (mm)	Overall Length (mm)	Overall width (mm)	Weight (kg)	Max Body pressure (bar)	Run-out flow rate (l/min)	Closed valve head (m)	Temp Range (degC)	*Max specific gravity	Motor Output (watts)
NEMP200/12	171	418	125	9,6	2,0	200	10,5	-20 to +85	1.2	550

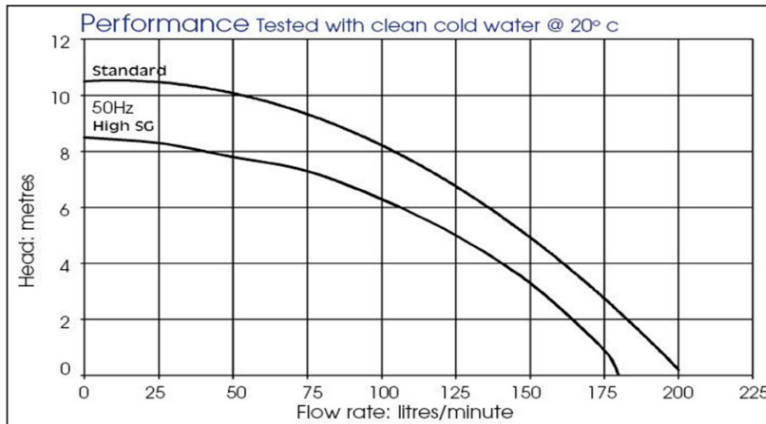
*Assuming maximum viscosity of 30cp

MAGDRIVE NEMP200/12



ROTALUTION

Performance



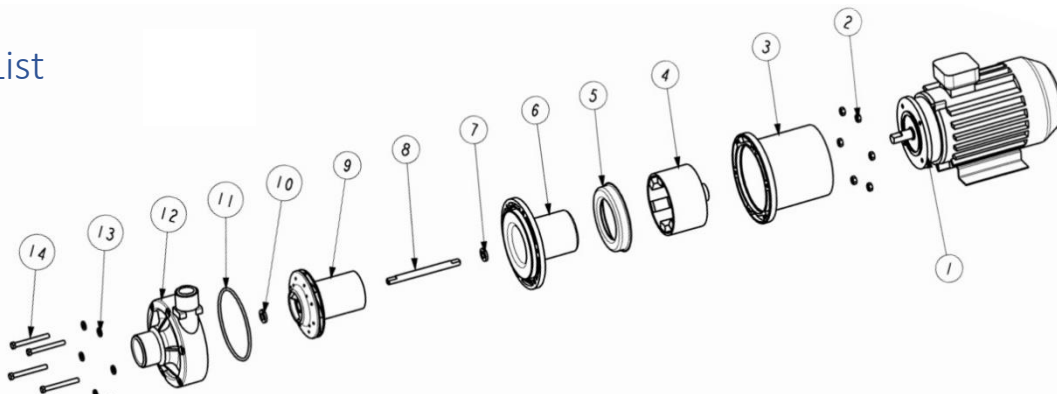
NOTE: These magnetically coupled pumps are designed for use with clean fluids.

Solids will cause jamming. Abrasives will reduce pump life and invalidate the warranty.

NEMP pumps are not self priming and are not designed to run dry.

The company reserves the right to change specifications.

Part List



Item Number	Description	Quantity	Part Number			
1	Motor	1	008831 (110V 1Ph 60 Hz)	008825 (230V 1Ph 50 Hz)	008823 (400V 3Ph 50/60Hz)	108823 (400V 3Ph 50/60Hz)
2	Nut	6	032105			
3	Adaptor	1	018381			
4	Drive Magnet	1	008646			
5	Support plate	1	008352			
6	Spindle housing	1	018317 (PPS)	008355 (PVDF)	008354 (PP)	
7	D washer	1	008298			
8	Spindle	1	008297			
9	Impeller	1	038601 (PP 50Hz)	018667 (PP 60 Hz)	018627 (PP High SG)	
			018644 (PVDF 50Hz)	018672 (PVDF 60Hz)	018672 (PVDF High SG)	
10	D washer	1	008298			
11	O ring	1	008277 (EPDM)	008235 (Vition)		
12	Pump Body	1	018382 (PP)	008308 (PVDF)		
13	washer	6	001568			
14	Screw	6	001792			