



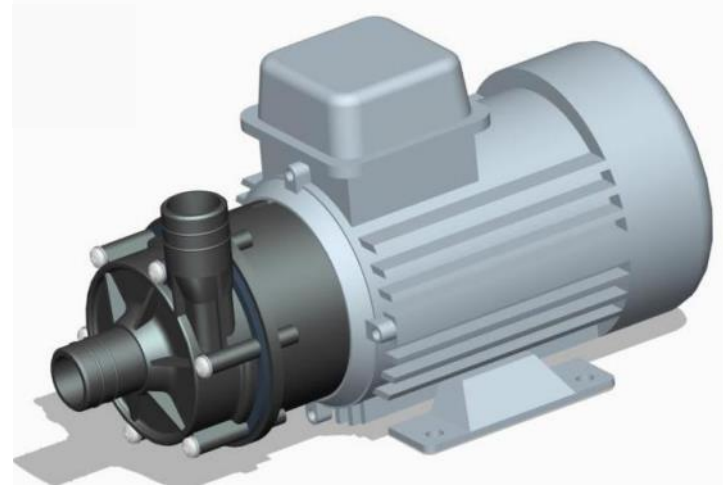
MAGDRIVE NEMP100/6

Principal Applications

For heavy duty applications requiring safe, leak-free, continuous flow of aggressive chemicals, acids, solvents, alkalis, sterile and chilled fluids.

Wetted Materials

- Standard EPDM O Ring, Nitrile or Viton optional
- PP encapsulated magnet
- PP pump housing, PPS optional
- PPS spindle housing
- Alumina ceramic spindle & thrust washers



Features

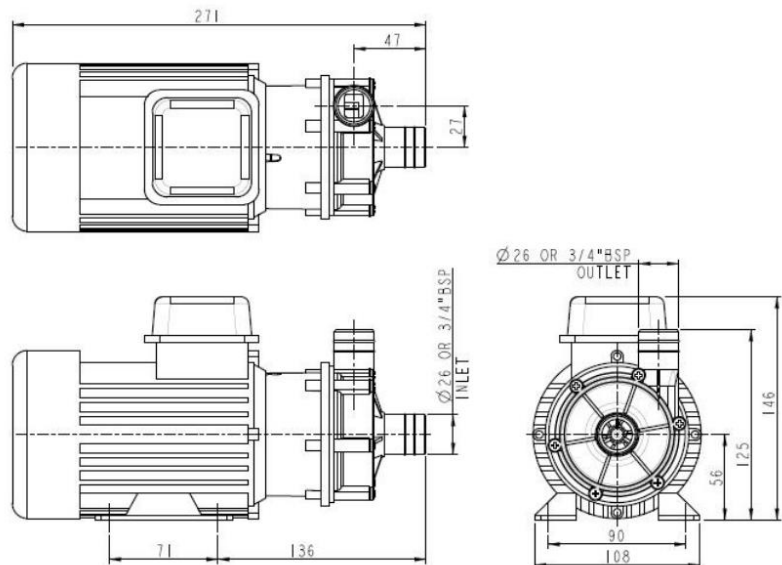
- Manufactured in chemical resistant thermo-plastics – entirely non-metallic
- Magnetic couplings provide an energy efficient thermal shield, minimising heat transfer to the pumped fluid
- 1 1/4" BSP M inlet 3/4" BSP M outlet

Motor

3 phase IEC motor 120 W
B14 Foot & Face

Dimensions

Drawings not to scale
Dimensions in millimetres



Specifications

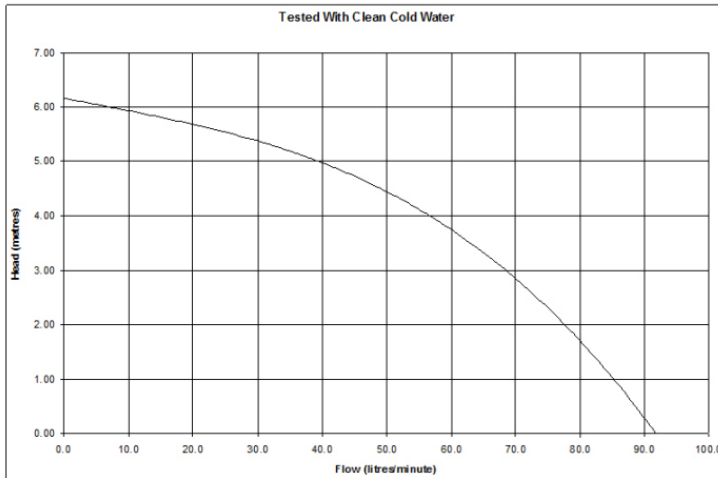
Model	Overall Height (mm)	Overall Length (mm)	Overall width (mm)	Weight (kg)	Max Body pressure (bar)	Run-out flow rate (l/min)	Closed valve head (m)	Temp Range (degC)	*Max specific gravity	Motor Output (watts)
NEMP120/8	125	271	108	3.6	1.4	100	5.7	-20 to +85	1.05	120

*Assuming maximum viscosity of 30cp



MAGDRIVE NEMP100/6

Performance



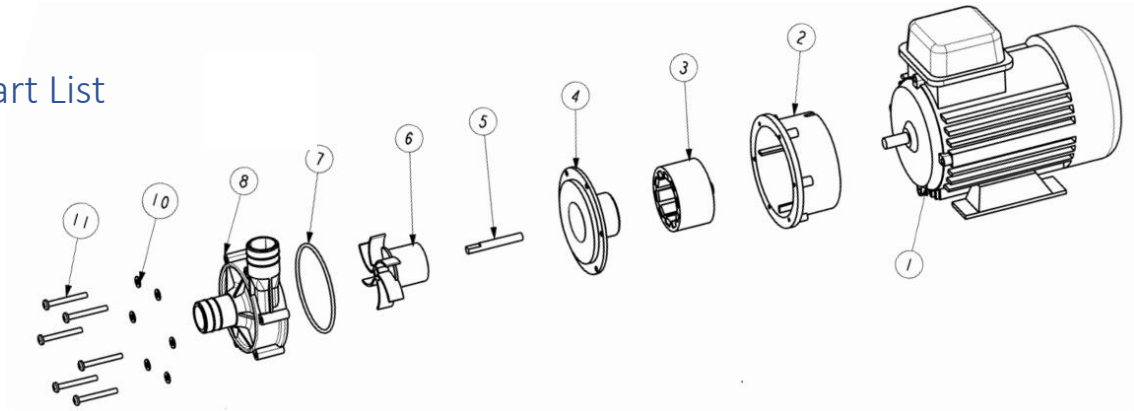
NOTE: These magnetically coupled pumps are designed for use with clean fluids.

Solids will cause jamming. Abrasives will reduce pump life and invalidate the warranty.

NEMP pumps are not self priming and are not designed to run dry.

The company reserves the right to change specifications.

Part List



Item Number	Description	Quantity	Part Number			
1	Motor	1	108824			
2	Adaptor	1	002053			
3	Drive Magnet	1	046319			
4	Spindle housing	1	016311			
5	Shaft	1	006244			
6	Impeller	1	016355			
7	O ring	1	008276 (EPDM)	008217 (Vition)	003398 (Nitrile)	
8	Pump Body	1	016359 (Plain port PP)	016367 (Plain port PPS)	016361 (threaded port PP)	016369 (threaded port PPS)
10/11	Washer/Screw	6	022115			